



SOLUTION FOR YOUR PRODUCTIVITY

# Medium Vessel

Outstanding Performance, Longer Lasting Life



Quality Endorsed Company



Quality ISO 9001



Environment SO 14001



Health & Safety OHSAS 18001

SAI GLOBAL SAI GLOBAL SAI GLOBAL



By using telescopic cylinder and mechanism complete with scissor stabilizer, PATRiA Dump Vessels are more stable at tipping, with less fuel consumption and less concentrated stress that extends the life of its chassis.

## ▶ BENEFITS

- Sub frame using UNP and complete with stabilizer (for great stability)
- Automatic lock system on tail gate( Easy to operate and safe)
- Easy Maintenance (easy to access)
- Reliability Component with reputable brand (productive, high quality)
- Responsive After Sales Support (less breakdown time)



### ▶ DUMP VESSEL (DV)

Dump Vessel can be applied for :  
Overburden, limestone, rock/stone

Dump Vessel Telescopic Type (Hoist System) :  
Hyva



### TIPPING VESSEL (TV) ◀

Tipping Vessel can be applied for :  
Overburden, coal, limestone, rock/stone, other material

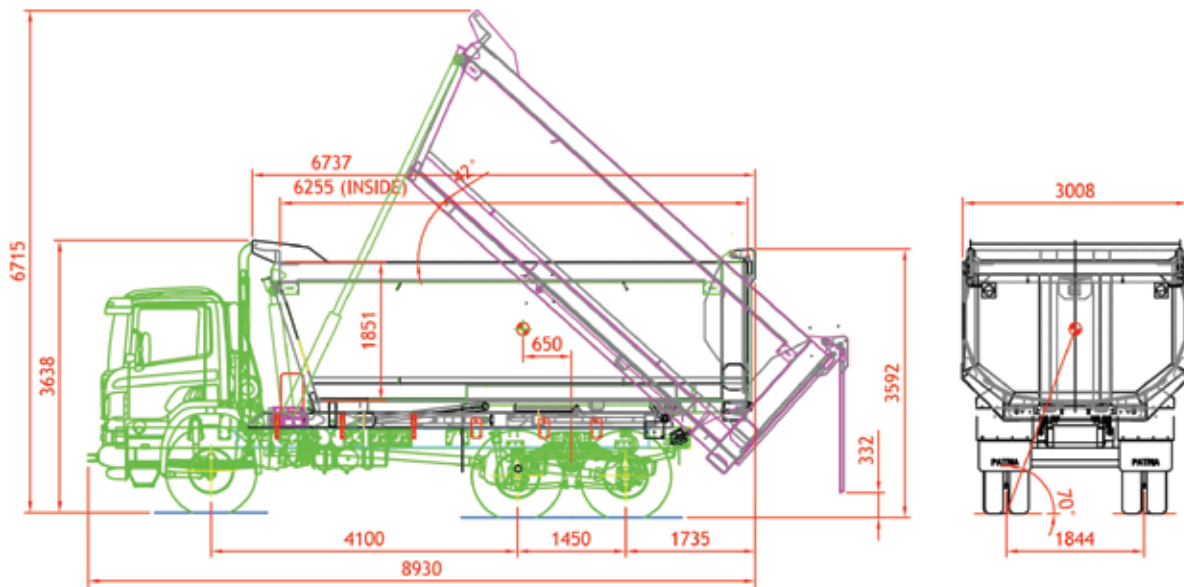
Tipping Vessel Underbody Type (Hoist System) :  
Hyva, Shin May Wa, Summit (Thai Hoist). PDP

# Medium Vessel

“Outstanding Performance, Longer Lasting Life”

PATrIA Medium Vessel offers most outstanding performance features in great at loading and unloading. Excellent design of body vessel shape will gives less carry-back. By using all arc welded construction of mild steel plate and can option using Wear Resistant Plate give less body weight and a long service life.

## ▶ Product Dimension TV 30



## ▶ Product Variant



TV 8	DV 14
TV 18	DV 15
TV 22	DV 16
TV 24	DV 17
TV 30	DV 24
TV 33	
TV 35	



**PATRIA**

**PT United Tractors Pandu Engineering**

Jl. Jababeka XI Blok H 30-40  
Kawasan Industri Jababeka  
Cikarang 17530 - Indonesia

T : +6221 893 5016  
F : +6221 893 4772/6353  
W : [www.patria.co.id](http://www.patria.co.id)

site offices

**Tanjung Jobsite**

Jl. Hauling Road Km. 34 Pasar Panas  
Central Kalimantan - Indonesia  
T : +62526 271 2998

**Sangata Jobsite**

Tango Delta - Sangata  
East Kalimantan - Indonesia  
T : +62549 550 5850

**Balikpapan**

Jl. Jend. Sudirman No.844 Stall Kuda  
East Kalimantan - Indonesia  
T : +62821 5967 7907